

Installation, Operation, and Maintenance Manual

8147.020/.190 Bravo 300



Table of Contents

Introduction and Safety	3
Introduction.....	3
Safety.....	3
Safety terminology and symbols.....	3
Environmental safety.....	4
User safety.....	5
Ex-approved products.....	6
Product warranty.....	7
Transportation and Storage	9
Inspect the delivery.....	9
Inspect the package.....	9
Inspect the unit.....	9
Transportation guidelines.....	9
Precautions.....	9
Position and fastening.....	9
Lifting.....	9
Temperature ranges for transportation, handling and storage.....	10
Handling at freezing temperature.....	10
Unit in as-delivered condition.....	10
Lifting the unit out of liquid.....	10
Storage guidelines.....	11
Storage location.....	11
Long-term storage.....	11
Product Description	12
Pump design.....	12
Parts.....	13
Monitoring equipment.....	14
Optional sensors.....	14
The data plate.....	14
Approvals.....	16
Product approvals for hazardous locations.....	16
EN approval plate.....	17
FM approval plate.....	17
Installation	18
Install the pump.....	18
Authority regulation.....	18
Fasteners.....	18
Make the electrical connections.....	19
General precautions.....	19
Requirements.....	19
Cables.....	20
Earthing (Grounding).....	20
Connect the motor cable to the pump.....	20
Connect the motor cable to the starter and monitoring equipment.....	21
Cable charts.....	22
Check the impeller rotation.....	30
Operation	31
Precautions.....	31

Distance to wet areas.....	31
Noise level.....	31
Start the pump.....	31
Maintenance.....	33
Precautions.....	33
Maintenance guidelines.....	33
Torque values.....	33
Change the oil.....	34
Empty the oil.....	34
Fill with oil.....	35
Replace the impeller.....	36
Remove the impeller	37
Install the impeller	37
Service the pump.....	38
Inspection.....	38
Major overhaul.....	39
Service in case of alarm.....	39
Troubleshooting.....	40
Introduction.....	40
The pump does not start.....	40
The pump does not stop when a level sensor is used.....	41
The pump starts-stops-starts in rapid sequence.....	41
The pump runs but the motor protection trips.....	42
The pump delivers too little or no water.....	43
Technical Reference.....	44
Application limits.....	44
Motor data.....	44

Introduction and Safety

Introduction

Purpose of this manual

The purpose of this manual is to provide necessary information for:

- Installation
- Operation
- Maintenance

**CAUTION:**

Read this manual carefully before installing and using the product. Improper use of the product can cause personal injury and damage to property, and may void the warranty.

NOTICE:

Save this manual for future reference, and keep it readily available at the location of the unit.

Safety

**WARNING:**

- The operator must be aware of safety precautions to prevent physical injury.
 - Any pressure-containing device can explode, rupture, or discharge its contents if it is over-pressurized. Take all necessary measures to avoid over-pressurization.
 - Operating, installing, or maintaining the unit in any way that is not covered in this manual could cause death, serious personal injury, or damage to the equipment. This includes any modification to the equipment or use of parts not provided by Grindex. If there is a question regarding the intended use of the equipment, please contact an Grindex representative before proceeding.
 - This manual clearly identifies accepted methods for disassembling units. These methods must be adhered to. Trapped liquid can rapidly expand and result in a violent explosion and injury. Never apply heat to impellers, propellers, or their retaining devices to aid in their removal.
-

**CAUTION:**

You must observe the instructions contained in this manual. Failure to do so could result in physical injury, damage, or delays.




Safety terminology and symbols

About safety messages

It is extremely important that you read, understand, and follow the safety messages and regulations carefully before handling the product. They are published to help prevent these hazards:

- Personal accidents and health problems
- Damage to the product
- Product malfunction

Hazard levels

Hazard level	Indication
 <p>DANGER:</p>	A hazardous situation which, if not avoided, will result in death or serious injury
 <p>WARNING:</p>	A hazardous situation which, if not avoided, could result in death or serious injury
 <p>CAUTION:</p>	A hazardous situation which, if not avoided, could result in minor or moderate injury
<p>NOTICE:</p>	<ul style="list-style-type: none"> • A potential situation which, if not avoided, could result in undesirable conditions • A practice not related to personal injury

Hazard categories

Hazard categories can either fall under hazard levels or let specific symbols replace the ordinary hazard level symbols.

Electrical hazards are indicated by the following specific symbol:



Electrical Hazard:

These are examples of other categories that can occur. They fall under the ordinary hazard levels and may use complementing symbols:

- Crush hazard
- Cutting hazard
- Arc flash hazard

Environmental safety

The work area

Always keep the station clean to avoid and/or discover emissions.

Waste and emissions regulations

Observe these safety regulations regarding waste and emissions:

- Dispose appropriately of all waste.
- Handle and dispose of the processed liquid in compliance with applicable environmental regulations.
- Clean up all spills in accordance with safety and environmental procedures.
- Report all environmental emissions to the appropriate authorities.

Electrical installation

For electrical installation recycling requirements, consult your local electric utility.

Recycling guidelines

Always recycle according to the guidelines listed below:

1. Follow local laws and regulations regarding recycling if the unit or parts are accepted by an authorized recycling company.
2. If the first guideline is not applicable, then return the unit or parts to the nearest Grindex representative.

User safety

General safety rules

These safety rules apply:

- Always keep the work area clean.
- Pay attention to the risks presented by gas and vapors in the work area.
- Avoid all electrical dangers. Pay attention to the risks of electric shock or arc flash hazards.
- Always bear in mind the risk of drowning, electrical accidents, and burn injuries.

Safety equipment

Use safety equipment according to the company regulations. Use this safety equipment within the work area:

- Hard hat
- Safety goggles, preferably with side shields
- Protective shoes
- Protective gloves
- Gas mask
- Hearing protection
- First-aid kit
- Safety devices

NOTICE:

Never operate a unit unless safety devices are installed. Also see specific information about safety devices in other chapters of this manual.

Electrical connections

Electrical connections must be made by certified electricians in compliance with all international, national, state, and local regulations. For more information about requirements, see sections dealing specifically with electrical connections.

Hazardous liquids

The product is designed for use in liquids that can be hazardous to your health. Observe these rules when you work with the product:

- Make sure that all personnel who work with biologically hazardous liquids are vaccinated against diseases to which they may be exposed.
- Observe strict personal cleanliness.

Wash the skin and eyes

Follow these procedures for chemicals or hazardous fluids that have come into contact with your eyes or your skin:

Condition	Action
Chemicals or hazardous fluids in eyes	<ol style="list-style-type: none"> 1. Hold your eyelids apart forcibly with your fingers. 2. Rinse the eyes with eyewash or running water for at least 15 minutes. 3. Seek medical attention.
Chemicals or hazardous fluids on skin	<ol style="list-style-type: none"> 1. Remove contaminated clothing. 2. Wash the skin with soap and water for at least 1 minute. 3. Seek medical attention, if necessary.

Ex-approved products

Follow these special handling instructions if you have an Ex-approved unit.

Personnel requirements

These are the personnel requirements for Ex-approved products in potentially explosive atmospheres:

- All work on the product must be carried out by certified electricians and Grindex-authorized mechanics. Special rules apply to installations in explosive atmospheres.
- All users must know about the risks of electric current and the chemical and physical characteristics of the gas, the vapor, or both present in hazardous areas.
- Any maintenance for Ex-approved products must conform to international and national standards (for example, IEC/EN 60079-17).

Grindex disclaims all responsibility for work done by untrained and unauthorized personnel.

Product and product handling requirements

These are the product and product handling requirements for Ex-approved products in potentially explosive atmospheres:

- Only use the product in accordance with the approved motor data.
- You must fully submerge the Ex-approved product during normal operation. Dry running during service and inspection is only permitted outside the classified area.
- Before you start work on the product, make sure that the product and the control panel are isolated from the power supply and the control circuit, so they cannot be energized.
- Do not open the product while it is energized or in an explosive gas atmosphere.
- Make sure that thermal contacts are connected to a protection circuit according to the approval classification of the product, and that they are in use.
- Intrinsically safe circuits are normally required for the automatic level-control system by the level regulator if mounted in zone 0.
- The yield stress of fasteners must be in accordance with the approval drawing and the product specification.
- Do not modify the equipment without approval from an authorized Grindex representative.
- Only use parts that are provided by an authorized Grindex representative.

Guidelines for compliance

Compliance is fulfilled only when you operate the unit within its intended use. Do not change the conditions of the service without the approval of a Grindex representative. When you install or maintain explosion proof products, always comply with the directive and applicable standards (for example, IEC/EN 60079-14).

Minimum permitted liquid level

See the dimensional drawings of the product for the minimum permitted liquid level according to the approval for explosion proof products. If the information is missing on the dimensional drawing, the product must be fully submerged. Level-sensing equipment must be installed if the product can be operated at less than the minimum submersion depth.

Monitoring equipment

For additional safety, use condition-monitoring devices. Condition-monitoring devices include but are not limited to the following:

- Level indicators
- Temperature detectors

Product warranty

Coverage

Grindex undertakes to remedy the following faults in products sold by Grindex under the following conditions:

- The faults are due to defects in design, materials or workmanship.
- The faults are reported to an Grindex representative within the warranty period.
- The product is used only under the conditions described in this manual.
- The monitoring equipment incorporated in the product is correctly connected and in use.
- All service and repair work is done by personnel authorized by Grindex.
- Genuine Grindex parts are used.

Limitations

The warranty does not cover faults caused by the following:

- Deficient maintenance
- Improper installation
- Modifications or changes to the product and installation carried out without consulting Grindex
- Incorrectly executed repair work
- Normal wear and tear

Grindex assumes no liability for the following:

- Bodily injuries
- Material damages
- Economic losses

Warranty claim

Grindex products are high-quality products with expected reliable operation and long life. However, should the need arise for a warranty claim, please contact your Grindex representative.

Spare parts

Grindex guarantees that spare parts will be available for 10 years after the manufacture of this product has been discontinued.

Transportation and Storage

Inspect the delivery

Inspect the package

1. Inspect the package for damaged or missing items upon delivery.
2. Note any damaged or missing items on the receipt and freight bill.
3. File a claim with the shipping company if anything is out of order.
If the product has been picked up at a distributor, make a claim directly to the distributor.

Inspect the unit

1. Remove packing materials from the product.
Dispose of all packing materials in accordance with local regulations.
2. Inspect the product to determine if any parts have been damaged or are missing.
3. If applicable, unfasten the product by removing any screws, bolts, or straps.
For your personal safety, be careful when you handle nails and straps.
4. Contact your sales representative if anything is out of order.

Transportation guidelines

Precautions



WARNING:

- Stay clear of suspended loads.
 - Observe accident prevention regulations in force.
-

Position and fastening

The unit can be transported either horizontally or vertically. Make sure that the unit is securely fastened during transportation, and cannot roll or fall over.

Lifting



WARNING:

- Crush hazard. The unit and the components can be heavy. Use proper lifting methods and wear steel-toed shoes at all times.
 - Lift and handle the product carefully, using suitable lifting equipment.
 - The product must be securely harnessed for lifting and handling. Use eyebolts or lifting lugs if available.
 - Always lift the unit by its lifting handle. Never lift the unit by the motor cable or by the hose.
 - Do not attach sling ropes to shaft ends.
-

Lifting equipment

Lifting equipment is always required when handling the unit. It must fulfill the following requirements:

- The minimum height (contact Grindex for information) between the lifting hook and the floor must be sufficient to lift the unit.
 - The lifting equipment must be able to hoist the unit straight up and down, preferably without the need for resetting the lifting hook.
 - The lifting equipment must be securely anchored and in good condition.
 - The lifting equipment must support weight of the entire assembly and must only be used by authorized personnel.
 - Two sets of lifting equipment must be used to lift the unit for repair work.
 - The lifting equipment must be dimensioned to lift the unit with any remaining pumped media in it.
 - The lifting equipment must not be oversized.
-

NOTICE:

Oversized lifting equipment could cause damage if the unit should stick when being lifted.

Temperature ranges for transportation, handling and storage

Handling at freezing temperature

At temperatures below freezing, the product and all installation equipment, including the lifting gear, must be handled with extreme care.

Make sure that the product is warmed up to a temperature above the freezing point before starting up. Avoid rotating the impeller/propeller by hand at temperatures below the freezing point. The recommended method to warm the unit up is to submerge it in the liquid which will be pumped or mixed.

NOTICE:

Never use a naked flame to thaw the unit.

Unit in as-delivered condition

If the unit is still in the condition in which it left the factory - all packing materials are undisturbed - then the acceptable temperature range during transportation, handling and storage is: -50°C (-58°F) to $+60^{\circ}\text{C}$ ($+140^{\circ}\text{F}$).

If the unit has been exposed to freezing temperatures, then allow it to reach the ambient temperature of the sump before operating.

Lifting the unit out of liquid

The unit is normally protected from freezing while operating or immersed in liquid, but the impeller/propeller and the shaft seal may freeze if the unit is lifted out of the liquid into a surrounding temperature below freezing.

Units equipped with an internal cooling system are filled with a mixture of water and 30% glycol. This mixture remains a flowing liquid at temperatures down to -13°C (9°F). Below -13°C (9°F), the viscosity increases such that the glycol mixture will lose its flow properties. However, the glycol-water mixture will not solidify completely and thus cannot harm the product.

Follow these guidelines to avoid freezing damage:

1. Empty all pumped liquid, if applicable.
2. Check all liquids used for lubrication or cooling, both oil and water-glycol mixtures, for the presence of water. Change if needed.

Storage guidelines

Storage location

The product must be stored in a covered and dry location free from heat, dirt, and vibrations.

NOTICE:

- Protect the product against humidity, heat sources, and mechanical damage.
 - Do not place heavy weights on the packed product.
-

Long-term storage

If the unit is stored more than 6 months, the following apply:

- Before operating the unit after storage, it must be inspected with special attention to the seals and the cable entry.
- The impeller/propeller must be rotated every other month to prevent the seals from sticking together.

Product Description

Pump design

The pump is submersible, and driven by an electric motor.

Intended use

The product is intended for moving waste water, sludge, raw and clean water. Always follow the limits given in [Application limits](#) (page 44). If there is a question regarding the intended use of the equipment, please contact an Grindex representative before proceeding.



WARNING:

In explosive or flammable environments, only use Ex- or MSHA-approved pumps.

NOTICE:

Do NOT use the pump in highly corrosive liquids.

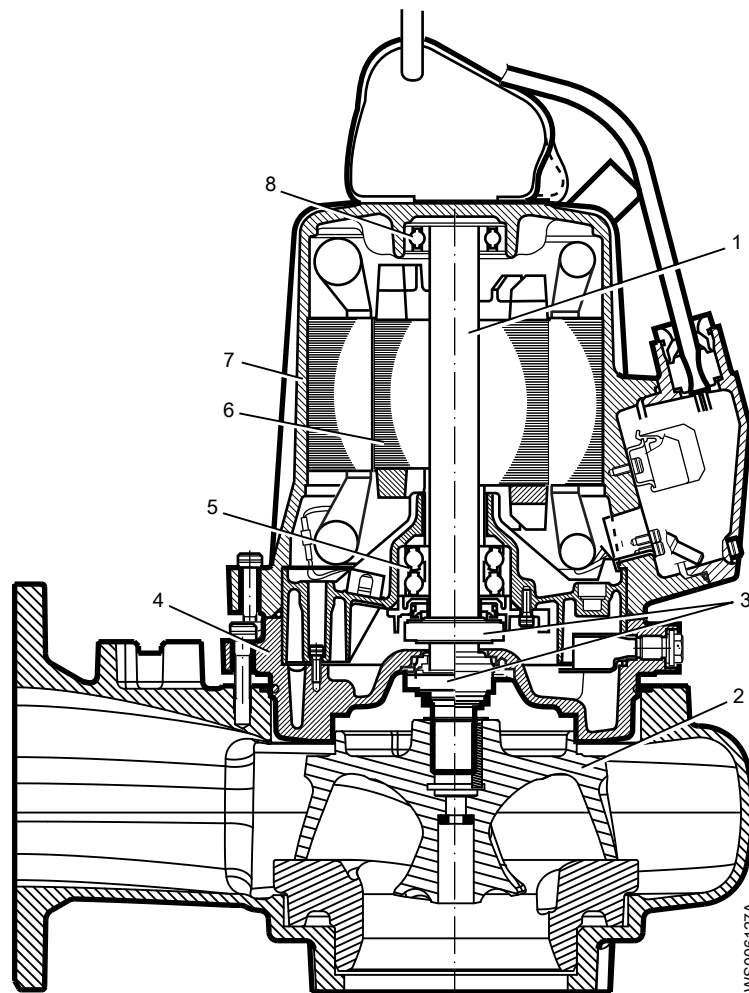
Spare parts

- Modifications to the unit or installation should only be carried out after consulting with Grindex.
- Original spare parts and accessories authorized by Grindex are essential for compliance. The use of other parts can invalidate any claims for warranty or compensation. For more information contact your Grindex representative.

Pressure class

H High head

Parts



Position	Part	Description
1	Shaft	The shaft is made of stainless steel, with an integrated rotor.
2	Impeller	H-impeller
3	Mechanical seals	One inner and one outer seal in a combination of materials: <ul style="list-style-type: none"> • Aluminium oxide Al_2O_3 • Corrosion-resistant cemented carbide WCCR For information about the pumps mechanical seals, see Parts List.
4	Oil housing	lubricates and cools the seals; the housing acts as a buffer between the pumped liquid and the drive unit.
5	Main bearing	The bearing consisting of a two-row angular contact ball bearing.
6	Motor	For information about the motor, see Motor data (page 44).

Position	Part	Description
7	Stator housing	The pump is cooled by the ambient liquid/air.
8	Support bearing	The bearing consisting of a single-row ball bearing.

Monitoring equipment

The following applies to the monitoring equipment of the pump:

- The stator incorporates three thermal contacts connected in series that activate the alarm and stops the pump at overtemperature
- The thermal contacts open at 125°C (257°F).
- Ex-approved pumps must have thermal contacts connected to the control panel.
- The sensors and optional sensors must be connected to the monitoring equipment.
- The monitoring equipment must be of a design that makes automatic restart impossible.
- Information in the junction box shows if the pump is equipped with optional sensors.

Optional sensors

FLS FLS is a miniature float switch for detection of liquid in the stator housing. Due to its design it is best suited for pumps in a vertical position. The FLS sensor is installed in the bottom of the stator housing.

CLS CLS is a sensor for detection of water in the oil housing. The sensor initiates an alarm when the oil contains approximately 35% water. The sensor is installed in the bearing housing/bearing holder with its sensing part in the oil housing. The CLS sensor is not applicable to Ex-approved pumps.

NOTICE:

The CLS sensor body is made of glass. Handle the sensor with care.

One CLS and one FLS sensor can be used in the same pump, if they are connected in parallel.

The data plate

Introduction

The data plate is a metal label located on the main body of the pump. The data plate lists key product specifications.

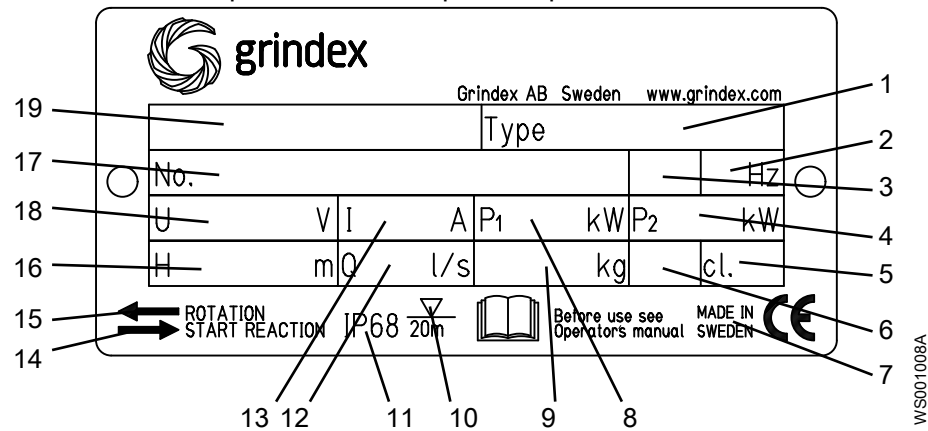
The data plate

This list of callouts is applicable for all versions of data plates:

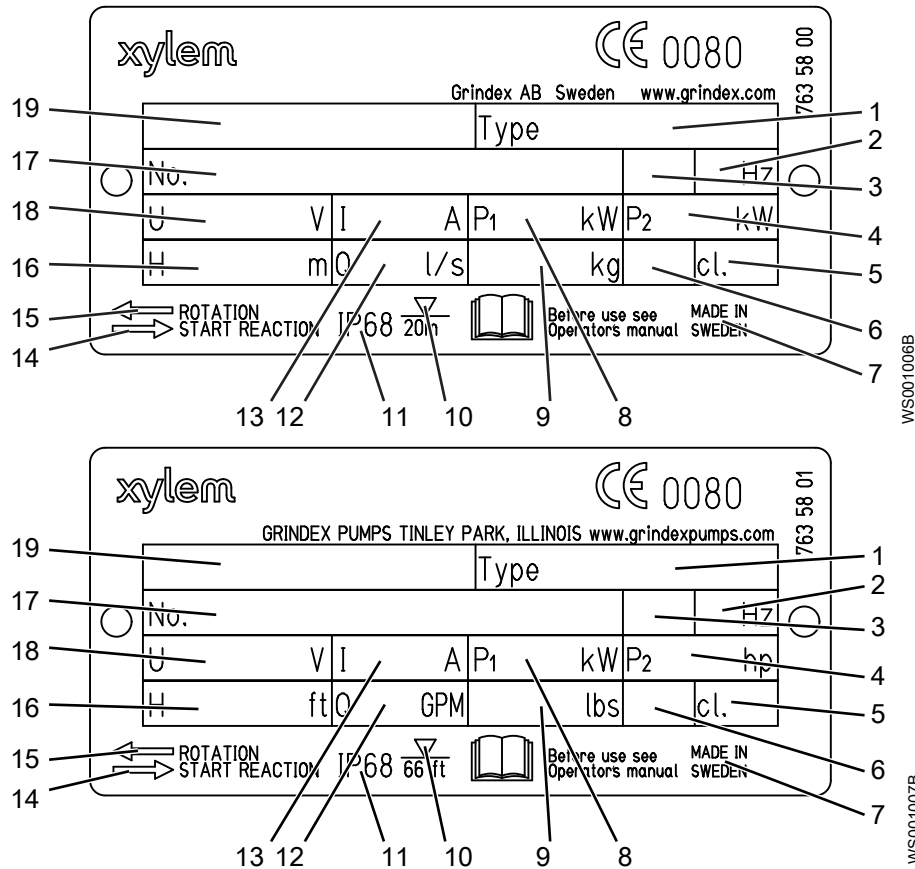
1. Pump type number
2. Frequency
3. Phases, type of current
4. Rated shaft power
5. Thermal class
6. Locked rotor code-letter

7. Country of origin
8. Maximum power consumption
9. Product weight
10. Maximum submersion depth
11. Degree of protection
12. Maximum capacity
13. Rated current
14. Direction of the start reaction
15. Direction of the impeller rotation
16. Maximum head
17. Serial number
18. Rated voltage
19. Pump model

This is the data plate for non explosion-proof version .020:



These are the data plates for explosion-proof version .190:



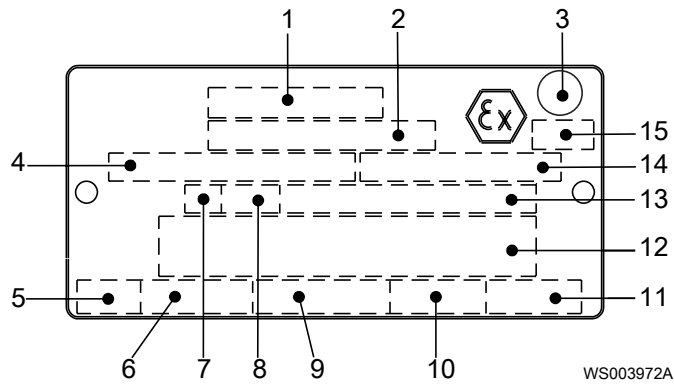
Approvals

Product approvals for hazardous locations

Pump	Approval
8147.190	European Norm (EN) <ul style="list-style-type: none"> • ATEX Directive • EN 60079-0, EN 60079-1, EN 1127-1 • ExI M2 Ex d I • Ex II 2 G Ex d IIB T4
	EN approval for cable entry: <ul style="list-style-type: none"> • Certificate number: INERIS 02ATEX9008 U • Ex II 2 G Ex d IIC or I M2 Ex d I
	Factory Mutual (FM) <ul style="list-style-type: none"> • Class I. Div 1. Group C and D • Dust ignition proof for use in Class II. Div 1. Group E, F and G • Suitable for use in Class III. Div 1. Hazardous Locations

EN approval plate

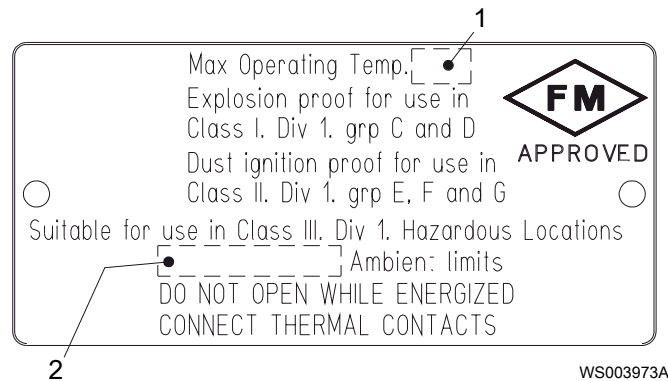
This illustration describes the EN approval plate and the information contained in its fields.



1. Approval
2. Approval authority + approval number
3. Approval for Class I
4. Approved drive unit
5. Stall time
6. Starting current/Rated current
7. Duty class
8. Duty factor
9. Input power
10. Rated speed
11. Controller
12. Additional information
13. Maximum ambient temperature
14. Serial number
15. ATEX marking

FM approval plate

This illustration describes the FM approval plate and the information contained in its fields.



1. Temperature class
2. Maximum ambient temperature

Installation

Install the pump



WARNING:

- Electrical shock hazard. Check that the cable and cable entry have not been damaged during transport before installing the pump.
 - Note that special rules apply to installation in explosive atmospheres.
 - Make sure that the unit cannot roll or fall over and injure people or damage property.
 - Do not install CSA-approved products in locations that are classified as hazardous in the national electric code, ANSI/NFPA 70-2005.
 - Do not install the starter equipment in an explosive zone unless it is explosion-proof rated.
-

NOTICE:

- Do not run the pump dry.
 - Never force piping to make a connection with a pump.
 - Always remove all debris and waste material from the sump, inlet piping, and discharge connection, before you install the pump.
-

These requirements apply:

- Use the pump dimensional drawing in order to ensure proper installation.
- Provide a suitable barrier around the work area, for example, a guard rail.
- Check the explosion risk before you weld or use electric hand tools.

Authority regulation

Vent the tank of a sewage machine station in accordance with local plumbing codes.

Fasteners



WARNING:

- Only use fasteners of the proper size and material.
 - Replace all corroded fasteners.
 - Make sure that all fasteners are properly tightened and that there are no missing fasteners.
-

Make the electrical connections

General precautions

**Electrical Hazard:**

- A certified electrician must supervise all electrical work. Comply with all local codes and regulations.
 - Before starting work on the unit, make sure that the unit and the control panel are isolated from the power supply and cannot be energized. This applies to the control circuit as well.
 - Leakage into the electrical parts can cause damaged equipment or a blown fuse. Keep the end of the motor cable above the liquid level.
 - Make sure that all unused conductors are insulated.
 - There is a risk of electrical shock or explosion if the electrical connections are not correctly carried out or if there is fault or damage on the product.
-

**WARNING:**

Do not install the starter equipment in an explosive zone unless it is explosion-proof rated.

**CAUTION:**

If the pump is equipped with automatic level control and/or internal contactor, there is a risk of sudden restart.

Requirements

These general requirements apply for electrical installation:

- The supply authority must be notified before installing the pump if it will be connected to the public mains. When the pump is connected to the public power supply, it may cause flickering of incandescent lamps when started.
- The mains voltage and frequency must agree with the specifications on the data plate. If the pump can be connected to different voltages, then the connected voltage is specified by a yellow sticker close to the cable entry.
- The fuses and circuit breakers must have the proper rating, and the pump overload protection (motor protection breaker) must be connected and set to the rated current according to the data plate and if applicable the cable chart. The starting current in direct-on-line start can be up to six times higher than the rated current.
- The fuse rating and the cables must be in accordance with the local rules and regulations.
- If intermittent operation is prescribed, then the pump must be provided with monitoring equipment supporting such operation.
- If stated on the data plate, then the motor is convertible between different voltages.
- The thermal contacts/thermistors must be in use.
- For FM-approved pumps, FLS must be connected and in use in order to meet approval requirements.

Cables

These are the requirements to follow when you install cables:

- The cables must be in good condition, not have any sharp bends, and not be pinched.
- The sheathing must not be damaged and must not have indentations or be embossed (with markings, etc.) at the cable entry.
- The cable entry seal sleeve and washers must conform to the outside diameter of the cable.
- The minimum bending radius must not be below the accepted value.
- If using a cable which has been used before, a short piece must be peeled off when refitting it so that the cable entry seal sleeve does not close around the cable at the same point again. If the outer sheath of the cable is damaged, then replace the cable. Contact a Grindex service shop.
- The voltage drop in long cables must be taken into account. The drive unit's rated voltage is the voltage measured at the cable connection point in the pump.
- The screened cable must be used according to the European CE requirements if a Variable Frequency Drive (VFD) is used. For more information, contact your Grindex representative (VFD-supplier).

Earthing (Grounding)



Electrical Hazard:

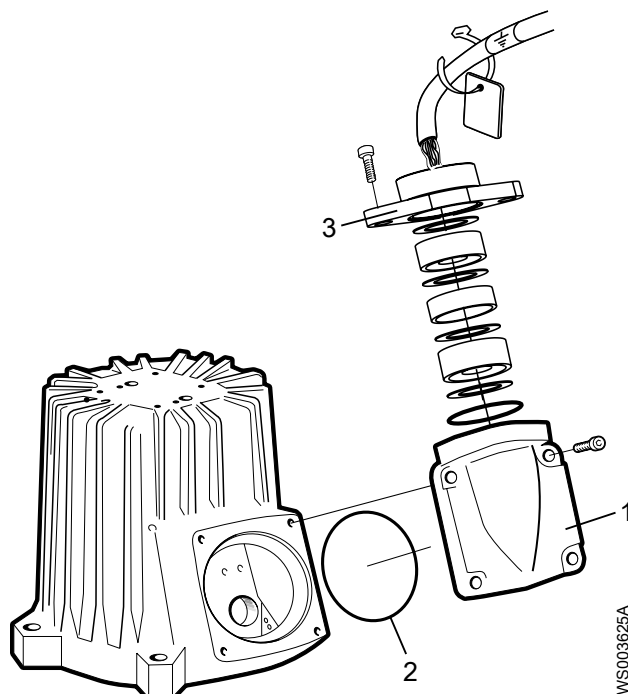
- You must earth (ground) all electrical equipment. This applies to the pump equipment, the driver, and any monitoring equipment. Test the earth (ground) lead to verify that it is connected correctly.
 - If the motor cable is jerked loose by mistake, the earth (ground) conductor should be the last conductor to come loose from its terminal. Make sure that the earth (ground) conductor is longer than the phase conductors. This applies to both ends of the motor cable.
 - Risk of electrical shock or burn. You must connect an additional earth-(ground-) fault protection device to the earthed (grounded) connectors if persons are likely to come into physical contact with the pump or pumped liquids.
-

Connect the motor cable to the pump



CAUTION:

Leakage into the electrical parts can cause damaged equipment or a blown fuse. Keep the end of the motor cable above the liquid level.



1. Entrance cover
2. O-ring
3. Entrance flange

1. Remove the entrance cover and the O-ring from the stator housing. This provide access to the terminal board/closed end splices.
2. Check the data plate to see which connections are required for the power supply.
3. Arrange the connections on the terminal board/closed end splices in accordance with the required power supply.
4. Connect the mains leads (L1, L2, L3, and earth (ground)) according to applicable cable chart.
The earth (ground) lead must be 50 mm (2.0 in.) longer than the phase leads in the junction box of the unit.
5. Make sure that the pump is correctly connected to earth (ground).
6. Make sure that any thermal contacts incorporated in the pump are properly connected to the terminal block/closed end splices.
7. Install the entrance cover and the O-ring on the stator housing.
8. Fasten the screws on the entrance flange so that the cable insertion assembly bottoms out.

Connect the motor cable to the starter and monitoring equipment



WARNING:

Do not install the starter equipment in an explosive zone unless it is explosion-proof rated.

NOTICE:

- Thermal contacts are incorporated in the pump.
- Thermal contacts must never be exposed to voltages higher than 250 V, breaking current maximum 4 A. It is recommended that they are connected to 24 V over separate fuses to protect other automatic equipment.

1. Connect the T1 and T2 control conductors to the monitoring equipment.
Do not connect the T1 and T2 leads to thermal contacts if the temperature of the pumped liquid is above 40°C (104°F).

NOTICE:

Ex-approved products must always have the thermal contacts connected irrespective of the ambient temperature.

2. Connect the mains leads (L1, L2, L3, and earth [ground]) to the starter equipment.
For information about the phase sequence and the color codes of the leads, see [Cable charts](#) (page 22).
3. Check the functionality of the monitoring equipment:
 - a) Check that the signals and the tripping function work properly.
 - b) Check that the relays, lamps, fuses, and connections are intact.
 Replace any defective equipment.

Cable charts

Description

This topic contains general connection information. It also provides cable charts that show connection alternatives for use with different cables and power supply.

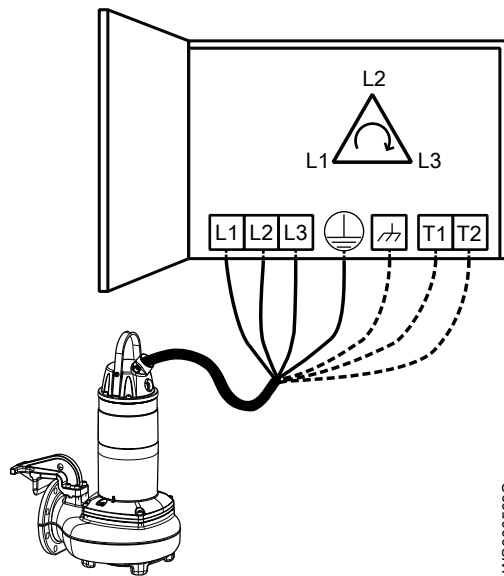
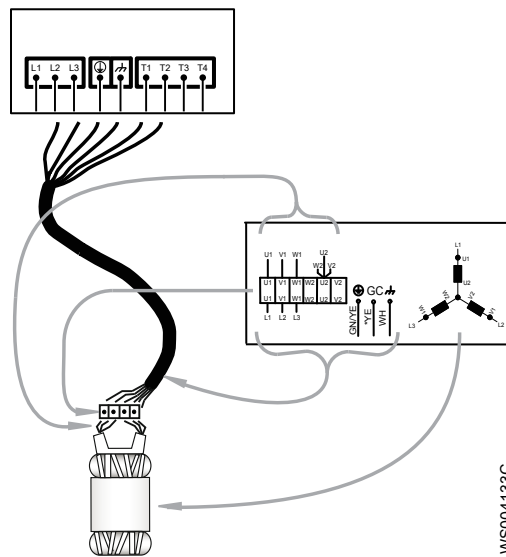


Figure 1: Phase sequence

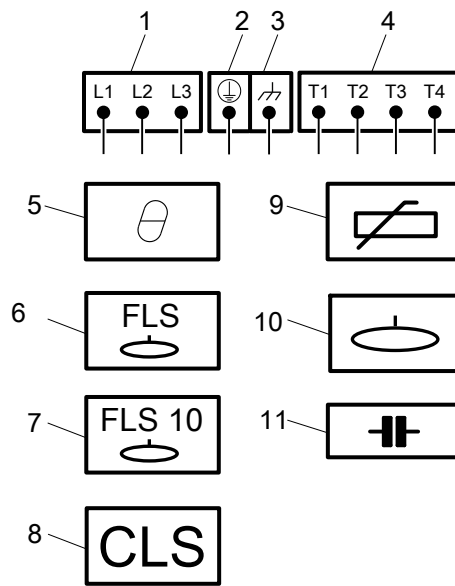
Connection locations

The figures in this section illustrate how to interpret the connection strip symbols.



1. Stator leads
2. Terminal board
3. Motor cable leads
4. Stator (internal connection illustrated)

WS0004133C




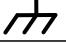
1. Starter equipment and mains leads (L1, L2, L3)
2. Earth (ground)
3. Functional ground
4. Control leads (T1, T2, T3, T4)
5. Thermal contact
6. FLS
7. FLS 10
8. CLS
9. Thermistor
10. Level sensor
11. Capacitor

WS0004134A

Color code standard

Code	Description
BN	Brown
BK	Black
WH	White
OG	Orange
GN	Green
GNYE	Green-Yellow
RD	Red
GY	Grey
BU	Blue
YE	Yellow

Colors and markings of leads

Motor connection		Mains		SUBCAB 7GX Screenflex 7GX	SUBCAB 4GX Screenflex 4GX	SUBCAB AWG	SUBCAB Screened
		1~	3~				
Colors and marking of main leads		1	L1	BK 1	BN	RD	BN
COLOR STANDARD BN=Brown BK=Black WH=White OG=Orange GN=Green GN/YE=Green-Yellow RD=Red GY=Grey BU=Blue YE=Yellow STATOR LEADS U1,U5 RD U2,U6 GN V1,V5 BN V2,V6 BU W1,W5 YE W2,W6 BK T1,T2 WH/YE *SUBCAB AWG ** Ground Conductor is stranded around cores GC=Ground Check		2	L2	BK 2	BK	BK	BK
		3	L3	BK 3	GY	WH	GY
			L1	BK 4	-	-	-
			L2	BK 5	-	-	-
			L3	BK 6	-	-	-
				GN/YE	GN/YE	GN/YE	**Screen/PE from cores
		Screen (WH)	Screen (WH)	-	Screen (WH)		
	GC	-	-	YE	-		

772 17 01/0

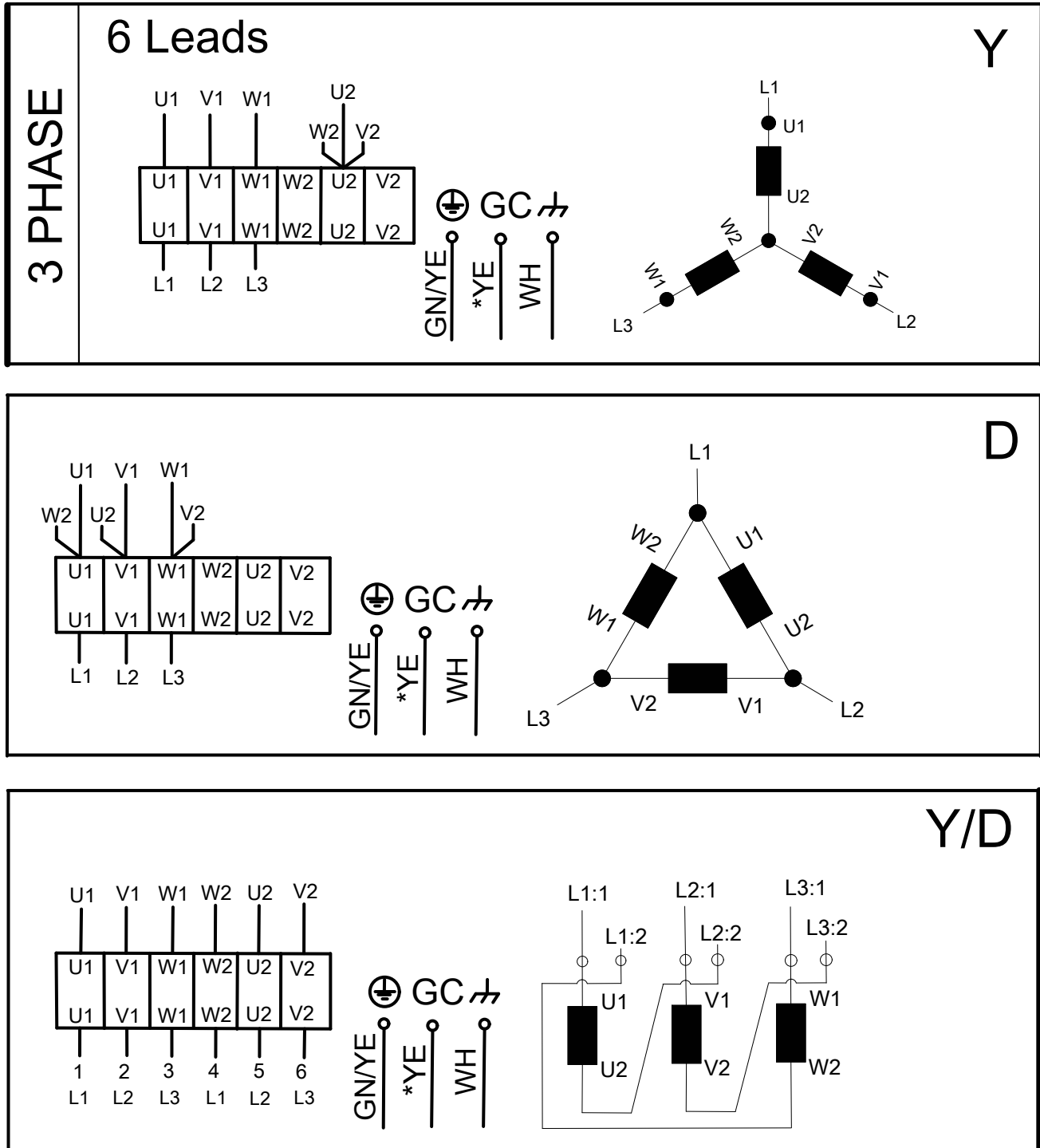


51 679 01

WS004552A

Figure 2: Motor connection

3-phase connection



WS004553A

Figure 3: 6 leads

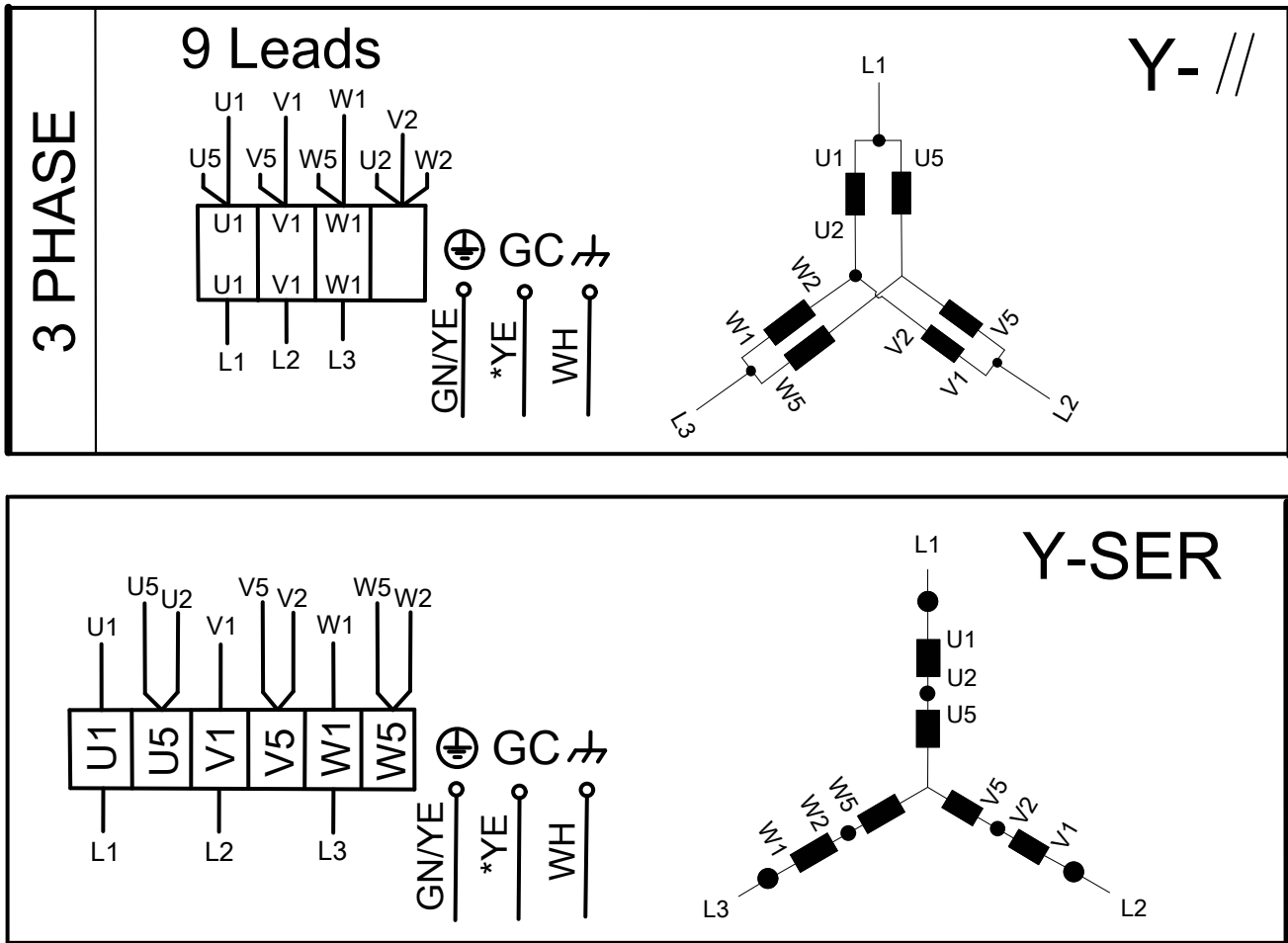
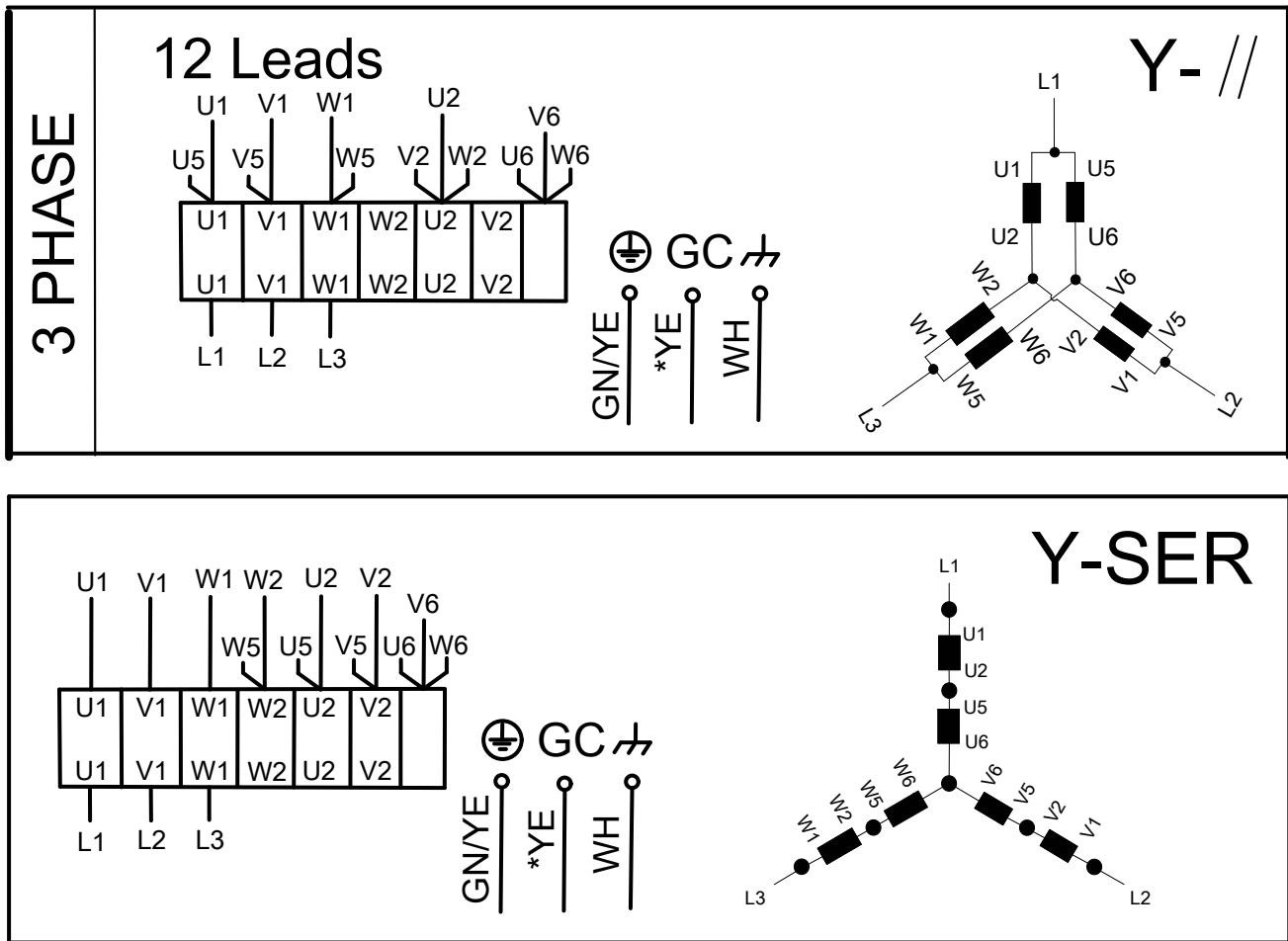


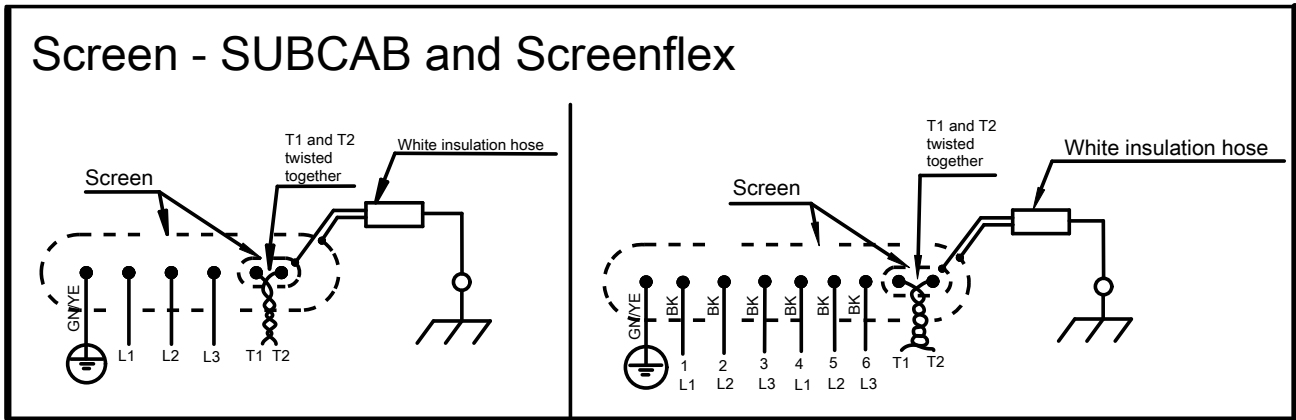
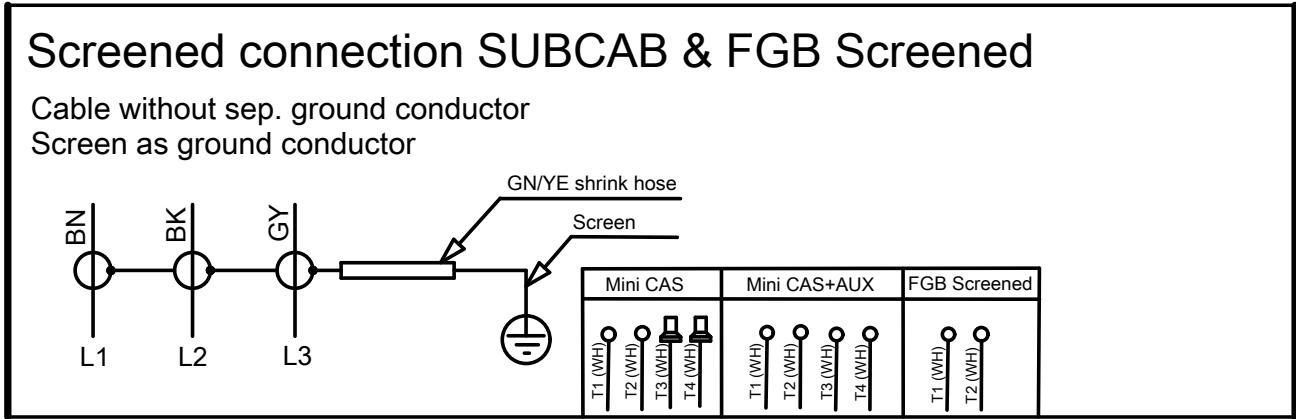
Figure 4: 9 leads



WS004555A

Figure 5: 12 leads

Screened cable connection

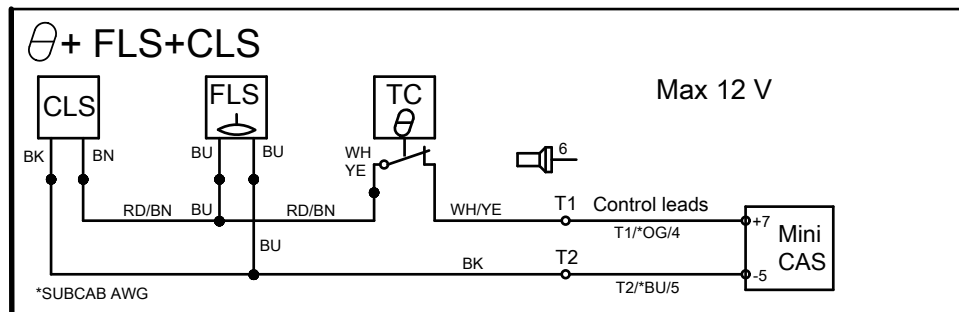
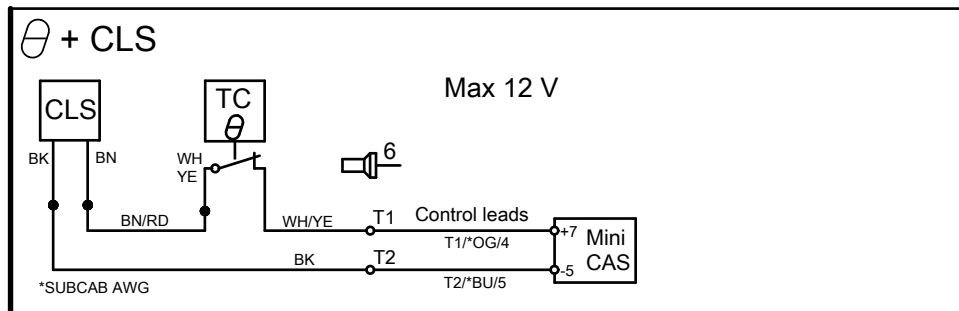
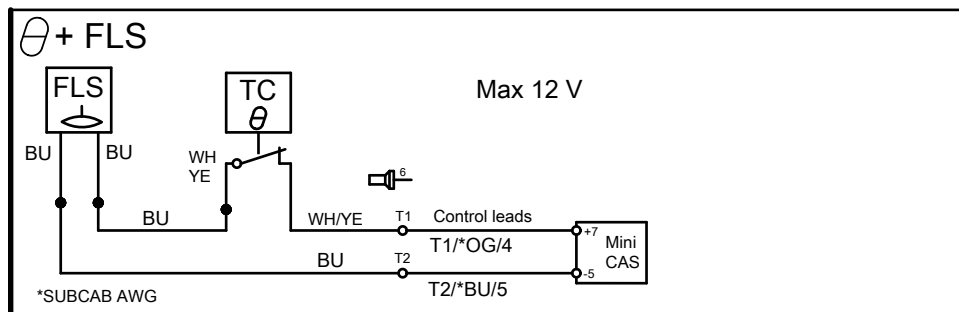
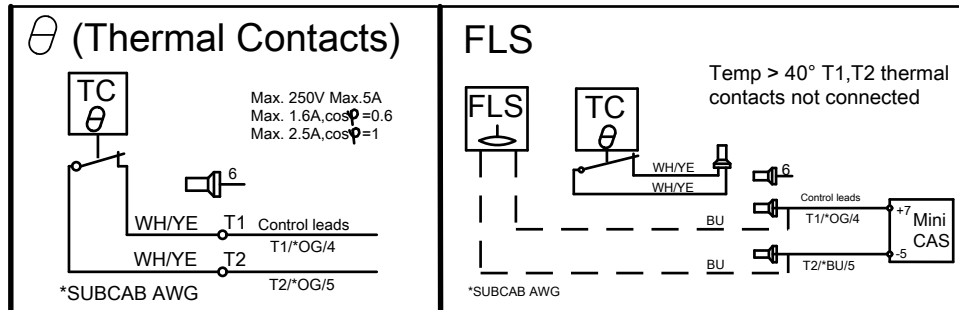


WS004558A

Figure 6: Screened connection SUBCAB and FGB screened, SUBCAB and Screenflex

Sensors connection

SENSORS	Control	SUBCAB 7GX & 4GX Screenflex	SUBCAB AWG	SUBCAB screened
	T1	WH T1	OG	WH T1
	T2	WH T2	BU	WH T2
	T3	-	-	WH T3
	T4	-	-	WH T4



W5004557A

Sensor connection characteristics

The values have a 10 % tolerance.

Sensors	Value (mA)	Definition
FLS and thermal contact	0	Overtemperature
	7.8	OK
	36	Leakage
CLS and thermal contact	0	Overtemperature
	5.5	OK
	29	Leakage (5 seconds delay)
CLS, FLS and thermal contact	0	Overtemperature
	13.3	OK
	36-42	Leakage (0/5 seconds delay)

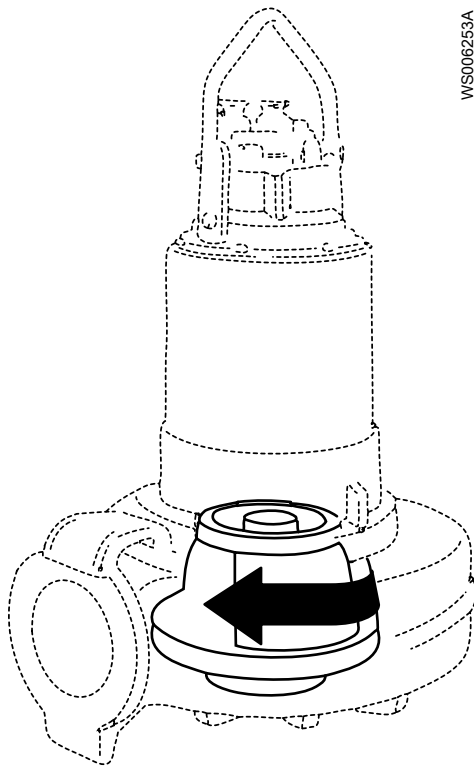
Check the impeller rotation



WARNING:

The starting jerk can be powerful.

1. Start the motor.
2. Stop the motor after a few seconds.
3. Check that the impeller rotates according to this illustration.



WS006253A

The correct direction of impeller rotation is clockwise when you look at the pump from above.

4. If the impeller rotates in the wrong direction, do one of these steps:
 - If the motor has a 1-phase connection, contact the local Grindex shop.
 - If the motor has a 3-phase connection, transpose two phase leads and do this procedure again.

Operation

Precautions



WARNING:

- Never operate the pump without safety devices installed.
 - Never operate the pump with the discharge valve closed.
 - Make sure you have a clear path of retreat.
 - Never work alone.
-



CAUTION:

If the pump is equipped with automatic level control and/or internal contactor, there is a risk of sudden restart.

Distance to wet areas



Electrical Hazard:

Risk of electrical shock. Make sure no one gets closer than 20 m (65 ft.) to the unit when being in contact with the pumped or mixed liquid.

Noise level

NOTICE:

The noise level of the product is lower than 70 dB. However, the noise level of 70 dB may be exceeded in some installations and at certain operating points on the performance curve. Make sure that you understand the noise level requirements in the environment where the pump is installed. Failure to do so may result in hearing loss or violation of local laws.

Start the pump



WARNING:

- If you need to work on the pump, make sure that it is isolated from the power supply and cannot be energized.
 - Make sure that the unit cannot roll or fall over and injure people or damage property.
 - In some installations, the pump and the surrounding liquid may be hot. Bear in mind the risk of burn injuries.
 - Make sure nobody is close to the unit when it is started. The unit will jerk in the opposite direction of the impeller rotation.
-

NOTICE:

Make sure that the rotation of the impeller is correct. For more information, see Check the impeller rotation.

1. Check the oil level in the oil housing.
 2. Remove the fuses or open the circuit breaker, and check that the impeller can be rotated freely.
-

3. Conduct insulation test phase to ground. To pass, the value must exceed 5 megohms.
4. Check that the monitoring equipment works.
5. Start the pump.

Maintenance

Precautions



WARNING:

- Always follow safety guidelines when working on the product. See [Introduction and Safety](#) (page 3).
- Disconnect and lock out electrical power before installing or servicing the pump.
- Make sure that the unit cannot roll or fall over and injure people or damage property.
- Rinse the unit thoroughly with clean water before working on the unit.
- Rinse the components in water after dismantling.

Make sure that you follow these requirements:

- Check the explosion risk before you weld or use electrical hand tools.
- Allow all system and pump components to cool before you handle them.
- Make sure that the product and its components have been thoroughly cleaned.
- Do not open any vent or drain valves or remove any plugs while the system is pressurized. Make sure that the pump is isolated from the system and that pressure is relieved before you disassemble the pump, remove plugs, or disconnect piping.

Maintenance guidelines

During maintenance and before reassembly, always remember to perform these tasks:

- Clean all parts thoroughly, particularly O-ring grooves.
- Change all O-rings, gaskets, and seal washers.
- Lubricate all springs, screws, and O-rings with grease.

During reassembly, always make sure that existing index markings are in line.

The reassembled drive unit must always be insulation-tested and the reassembled pump must always be test-run before normal operation.

Torque values

All screws and nuts must be lubricated to achieve correct tightening torque. Screws that are screwed into stainless steel must have the threads coated with suitable lubricants to prevent seizing.

If there is a question regarding the tightening torques, please contact a sales representative.

Screws and nuts

Table 1: Stainless steel, A2 and A4, torque Nm (ft-lbs)

Property class	M4	M5	M6	M8	M10	M12	M16	M20	M24	M30
50	1.0 (0.74)	2.0 (1.5)	3.0 (2.2)	8.0 (5.9)	15 (11)	27 (20)	65 (48)	127 (93.7)	220 (162)	434 (320)
70, 80	2.7 (2)	5.4 (4)	9.0 (6.6)	22 (16)	44 (32)	76 (56)	187 (138)	364 (268)	629 (464)	1240 (915)

Property class	M4	M5	M6	M8	M10	M12	M16	M20	M24	M30
100	4.1 (3)	8.1 (6)	14 (10)	34 (25)	66 (49)	115 (84.8)	248 (183)	481 (355)	—	—

Table 2: Steel, torque Nm (ft-lbs)

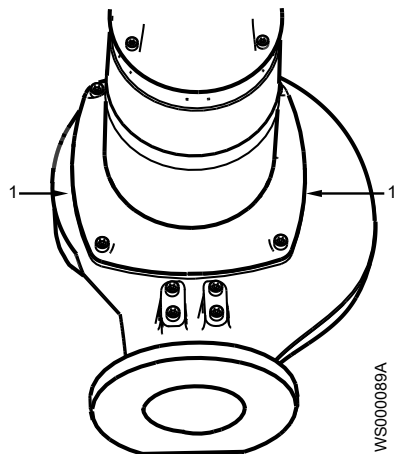
Property class	M4	M5	M6	M8	M10	M12	M16	M20	M24	M30
8.8	2.9 (2.1)	5.7 (4.2)	9.8 (7.2)	24 (18)	47 (35)	81 (60)	194 (143)	385 (285)	665 (490)	1310 (966.2)
10.9	4.0 (2.9)	8.1 (6)	14 (10)	33 (24)	65 (48)	114 (84)	277 (204)	541 (399)	935 (689)	1840 (1357)
12.9	4.9 (3.6)	9.7 (7.2)	17 (13)	40 (30)	79 (58)	136 (100)	333 (245)	649 (480)	1120 (825.1)	2210 (1630)

Hexagon screws with countersunk heads

For hexagon socket head screws with countersunk head, maximum torque for all property classes must be 80% of the values for property class 8.8 above.

Change the oil

This image shows the plugs that are used to change the oil.



1. Oil plug

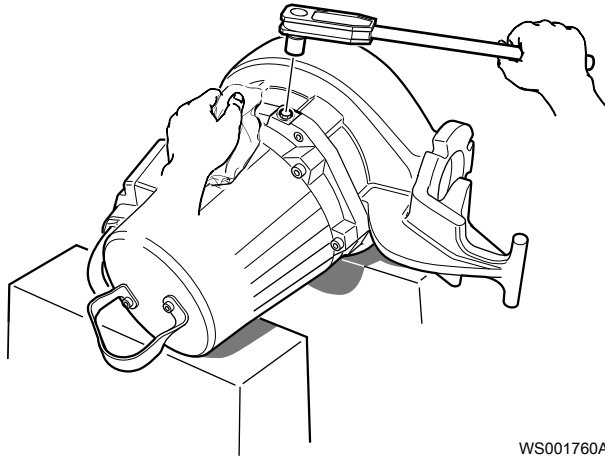
Empty the oil



WARNING:

The oil housing may be pressurized. Hold a rag over the oil plug to prevent oil from spraying out.

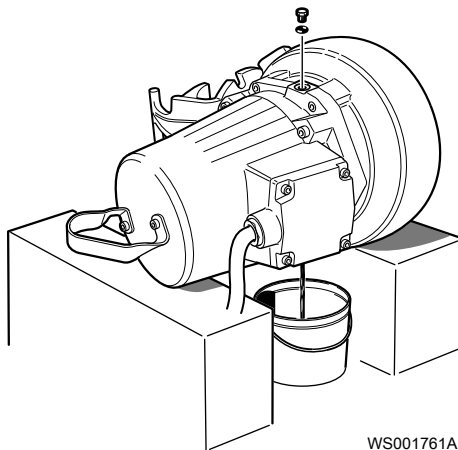
1. Place the pump in a horizontal position and unscrew the oil plug.
If the pump has a hole with the markings "oil out" it is important that this hole is used for drainage.



WS001760A

2. Place a container under the pump and turn the pump.
3. Unscrew the other oil plug.

If this hole has the markings "oil in", raise the pump upright for a short period of time during drainage in order to drain all the oil.

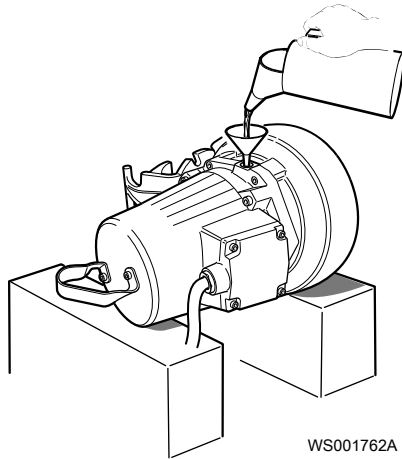


WS001761A

Fill with oil

The oil should be a medical white oil of paraffin type that fulfills FDA 172.878 (a) and viscosity close to VG32.

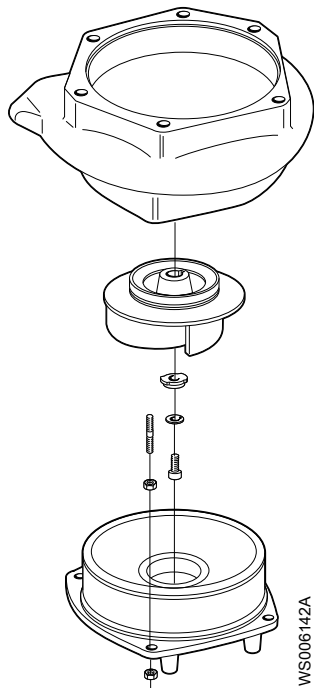
1. Replace the O-rings of the oil plugs.
2. Refit an oil plug in the hole that faces downwards or is marked "oil out", and tighten.
Tightening torque: 10-40 Nm (7.5-29.5 ft-lbs)
3. Fill with oil through the hole on the opposite side or the hole marked "oil in".
If the hole is marked "oil in", slightly tilt the pump and lower it again in order to fill the pump with the correct quantity.
Quantity: approximately 2.1 L (2.1 qt.)



WS001762A

4. Refit the oil plug and tighten.
Tightening torque: 10-40 Nm (7.5-29.5 ft-lbs)

Replace the impeller



WS006142A

Required tools:

- 10 mm hexagon bit adapter with an extension of at least 125 mm (4.92 in.)
- Impeller puller
If applicable, contact your local Grindex representative for correct type and size.
- Rod (wooden or copper) for locking the impeller in place, if applicable.
- Two crowbars, if applicable

**WARNING:**

- If you fail with the impeller installation, you must redo the installation procedure from the beginning.
- A worn impeller and/or pump housing can have very sharp edges. Wear protective gloves.
- When laying the pump on its side, do not allow the weight of the pump to rest on any portion of the impeller. The impeller must not be allowed to make contact with the concrete floor or other hard and rough surfaces.

Remove the impeller

**CAUTION:**

A worn impeller and/or pump housing can have very sharp edges. Wear protective gloves.

1. Remove the suction cover.
2. Remove the impeller screw and washer.
If applicable, use the rod.
3. Remove the impeller from the shaft:
 - a) Insert a M16 screw into the square nut.
 - b) Turn the screw to push off the impeller.
4. Remove the screw and the square nut.

Install the impeller

1. Prepare the shaft:
 - a) Make sure that the end of the shaft is clean and free from burrs.
Polish off any flaws with a fine emery cloth.
 - b) Make sure that the parallel key is seated in the keyway on the shaft.
2. Mount the impeller:
 - a) Fit the washer and square nut to the lubricated impeller screw.
 - b) Press the impeller onto the shaft with the impeller screw.
3. Tighten the impeller screw.
Tightening torque: 80 Nm (59 ft-lbs)
If applicable, use the rod.
Check that the impeller can rotate freely.
4. Mount the suction cover:
 - a) Fit the studs on the pump housing.
 - b) Fit the first hexagon nut onto the studs.
 - c) Fit the suction cover to the studs.
Make sure that the impeller rotates freely from the suction cover before tightening the hexagon nuts. The clearance between the impeller and the suction cover should be as small as possible.
 - d) Fit the second hexagon nuts onto the studs.
 - e) Tighten the nuts.
Tightening torque: 57 Nm (42 ft-lbs).
5. Raise the pump to a vertical position.
Check that the impeller can rotate freely.

Service the pump

Type of service	Purpose	Inspection interval
Initial inspection	To make a check up of the pump condition by an authorized Grindex service representative and, based on the result and findings from these measures, to determine the intervals for periodical inspection and major overhaul for the specific installation.	Within the first year of operation.
Periodical inspection	To prevent operational interruptions and machine breakdown. Measures to secure performance and pump efficiency are defined and decided for each individual application. It can include such things as impeller trimming, wear part control and replacement, control of zinc-anodes and control of the stator.	Up to every year Applies to normal applications and operating conditions at media (liquid) temperatures <40°C.
Major overhaul	To secure a long operating lifetime for the product. It includes replacement of key components and the measures taken during an inspection.	Up to every 3 year These intervals apply to normal applications and operating conditions at media (liquid) temperatures <40°C.

NOTICE:

Shorter intervals may be required when the operating conditions are extreme, for example with very abrasive or corrosive applications or when the liquid temperatures exceed 40°C (104°F).

Inspection

Service item	Action
Cable	<ol style="list-style-type: none"> 1. If the outer jacket is damaged, replace the cable. 2. Check that the cables do not have any sharp bends and are not pinched.
Connection to power	Check that the connections are properly tightened.
Electrical cabinets	Check that they are clean and dry.
Impeller	<ol style="list-style-type: none"> 1. Check the impeller clearance. 2. Adjust the impeller, if necessary.
Stator housing	<ol style="list-style-type: none"> 1. Drain all liquid, if any. 2. Check the resistance of the leakage sensor. Normal value approx.1500 ohms, alarm approx. 430 ohms.
Insulation	Use a megger maximum 1000 V.

Service item	Action
	<ol style="list-style-type: none"> 1. Check that the resistance between the earth (ground) and phase lead is more than 5 megohms. 2. Conduct a phase-to-phase resistance check.
Junction box	Check that it is clean and dry.
Lifting device	Check that local safety regulations are followed.
Lifting handle	<ol style="list-style-type: none"> 1. Check the screws. 2. Check the condition of the lifting handle. 3. Replace if necessary.
O-rings	<ol style="list-style-type: none"> 1. Replace the oil plug O-rings. 2. Replace the O-rings at the entrance or junction cover. 3. Grease the new O-rings.
Overload protection and other protections	Check the correct settings.
Personnel safety devices	Check the guard rails, covers, and other protections.
Rotation direction	Check the impeller rotation.
Oil housing	Fill with new oil, if necessary.
Terminal block/closed end splice	Check that the connections are properly tightened.
Thermal contacts	Normally closed circuit; interval 0–1 ohm.
Voltage and amperage	Check the running values.

Major overhaul

For a major overhaul, take this action in addition to the tasks listed under Inspection.

Service item	Action
Support and main bearing	Replace the bearings with new bearings.
Mechanical seal	Replace with new seal units.

Service in case of alarm

For information about indication values for sensors, see [Sensors connection](#) (page 29).

Alarm source	Action
CLS	Check for water in the oil housing. If the oil contains too much water: <ol style="list-style-type: none"> 1. Drain the oil and water. 2. Replace with new oil.
FLS	<ol style="list-style-type: none"> 1. Check for liquid in the stator housing. 2. Drain all liquid, if any. 3. Check the mechanical seal unit, the O-rings, and the cable entry, if liquid was found.
Thermal contact	Check the start and stop levels.
The overload protection	Check that the impeller can rotate freely.

Troubleshooting

Introduction

Follow these guidelines when troubleshooting the pump:

- Disconnect and lock out the power supply except when conducting checks that require voltage.
- Make sure that no one is near the pump when the power supply is reconnected.
- When troubleshooting electrical equipment, use the following:
 - Universal instrument multimeter
 - Test lamp (continuity tester)
 - Wiring diagram

The pump does not start



WARNING:

Always disconnect and lock out power before servicing to prevent unexpected startup. Failure to do so could result in death or serious injury.

NOTICE:

Do NOT override the motor protection repeatedly if it has tripped. Doing so may result in equipment damage.

Cause	Remedy
An alarm signal has been triggered on the control panel.	Check that: <ul style="list-style-type: none"> • The impeller rotates freely. • The sensor indicators do not indicate an alarm. • The overload protection is not tripped. If the problem still persists: Contact the local Grindex service shop.
The pump does not start automatically, but can be started manually.	Check that: <ul style="list-style-type: none"> • The start level regulator is functioning. Clean or replace if necessary. • All connections are intact. • The relay and contactor coils are intact. • The control switch (Man/Auto) makes contact in both positions. Check the control circuit and functions.
The installation is not receiving voltage.	Check that: <ul style="list-style-type: none"> • The main power switch is on. • There is control voltage to the start equipment. • The fuses are intact. • There is voltage in all phases of the supply line. • All fuses have power and that they are securely fastened to the fuse holders.

Cause	Remedy
	<ul style="list-style-type: none"> • The overload protection is not tripped. • The motor cable is not damaged.
The impeller is stuck.	Clean: <ul style="list-style-type: none"> • The impeller • The sump in order to prevent the impeller from clogging again.

If the problem persists, contact the local Grindex service shop. Always state the product number and the serial number of your pump when you contact Grindex, see [Product Description](#) (page 12).

The pump does not stop when a level sensor is used



WARNING:

Always disconnect and lock out power before servicing to prevent unexpected startup. Failure to do so could result in death or serious injury.

Cause	Remedy
The pump is unable to empty the sump to the stop level.	Check that: <ul style="list-style-type: none"> • There are no leaks from the piping and/or discharge connection. • The impeller is not clogged. • The non-return valve(s) are functioning properly. • The pump has adequate capacity. For information: Contact the local Grindex service shop.
There is a malfunction in the level-sensing equipment.	<ul style="list-style-type: none"> • Clean the level regulators. • Check the functioning of the level regulators. • Check the contactor and the control circuit. • Replace all defective items.
The stop level is set too low.	Raise the stop level.

If the problem persists, contact the local Grindex service shop. Always state the product number and the serial number of your pump when you contact Grindex, see [Product Description](#) (page 12).

The pump starts-stops-starts in rapid sequence

Cause	Remedy
The pump starts due to back-flow which fills the sump to the start level again.	Check that: <ul style="list-style-type: none"> • The distance between the start and stop levels is sufficient. • The non-return valve(s) work(s) properly. • The length of the discharge pipe between the pump and the first non-return valve is sufficiently short.

Cause	Remedy
The self-holding function of the contactor malfunctions.	Check: <ul style="list-style-type: none"> • The contactor connections. • The voltage in the control circuit in relation to the rated voltages on the coil. • The functioning of the stop-level regulator. • Whether the voltage drop in the line at the starting surge causes the contactor's self-holding malfunction.

If the problem persists, contact the local Grindex service shop. Always state the product number and the serial number of your pump when you contact Grindex, see [Product Description](#) (page 12).

The pump runs but the motor protection trips



WARNING:

Always disconnect and lock out power before servicing to prevent unexpected startup. Failure to do so could result in death or serious injury.

NOTICE:

Do NOT override the motor protection repeatedly if it has tripped. Doing so may result in equipment damage.

Cause	Remedy
The motor protection is set too low.	Set the motor protection according to the data plate and if applicable the cable chart.
The impeller is difficult to rotate by hand.	<ul style="list-style-type: none"> • Clean the impeller. • Clean out the sump. • Check that the impeller is properly trimmed.
The drive unit is not receiving full voltage on all three phases.	<ul style="list-style-type: none"> • Check the fuses. Replace fuses that have tripped. • If the fuses are intact, notify a certified electrician.
The phase currents vary, or they are too high.	Contact the local Grindex service shop.
The insulation between the phases and ground in the stator is defective.	<ol style="list-style-type: none"> 1. Use an insulation tester. With a 1000 V DC megger, check that the insulation between the phases and between any phase and ground is > 5 megohms. 2. If the insulation is less: Contact the local Grindex service shop.
The density of the pumped fluid is too high.	Make sure that the maximum density is 1100 kg/m ³ (9.2 lb/US gal) <ul style="list-style-type: none"> • Change to a more suitable pump. • Contact the local Grindex service shop.
There is a malfunction in the overload protection.	Replace the overload protection.

If the problem persists, contact the local Grindex service shop. Always state the product number and the serial number of your pump when you contact Grindex, see [Product Description](#) (page 12).

The pump delivers too little or no water



WARNING:

Always disconnect and lock out power before servicing to prevent unexpected startup. Failure to do so could result in death or serious injury.

NOTICE:

Do NOT override the motor protection repeatedly if it has tripped. Doing so may result in equipment damage.

Cause	Remedy
The impeller rotates in the wrong direction.	<ul style="list-style-type: none"> • If it is a 3-phase pump, transpose two phase leads. • If it is a 1-phase pump: Contact the local Grindex service shop.
One or more of the valves are set in the wrong positions.	<ul style="list-style-type: none"> • Reset the valves that are set in the wrong position. • Replace the valves, if necessary. • Check that all valves are correctly installed according to media flow. • Check that all valves open correctly.
The impeller is difficult to rotate by hand.	<ul style="list-style-type: none"> • Clean the impeller. • Clean out the sump. • Check that the impeller is properly trimmed.
The pipes are obstructed.	Clean out the pipes to ensure a free flow.
The pipes and joints leak.	Find the leaks and seal them.
There are signs of wear on the impeller, pump, and casing.	Replace the worn parts.
The liquid level is too low.	<ul style="list-style-type: none"> • Check that the level sensor is set correctly. • Depending on the installation type, add a means for priming the pump, such as a foot valve.

If the problem persists, contact the local Grindex service shop. Always state the product number and the serial number of your pump when you contact Grindex, see [Product Description](#) (page 12).

Technical Reference

Application limits

Data	Description
Liquid temperature	40°C (104°F) maximum Ex-approved pumps: 40°C (104°F) maximum
Liquid density	1100 kg/m ³ (9.2 lb per US gal) maximum
pH of the pumped media (liquid)	5.5–14
Depth of immersion	20 m (65 ft) maximum
Other	For the specific weight, current, voltage, power ratings, and speed of the pump, see the data plate of the pump.

Motor data

Feature	Description
Motor type	Squirrel-cage induction motor
Frequency	50 or 60 Hz
Supply	3-phase
Starting method	<ul style="list-style-type: none"> • Direct on-line • Star-delta
Maximum starts per hour	30 evenly spaced starts per hour
Code compliance	IEC 60034-1
Rated output variation	±5%
Voltage variation without overheating	±10%, provided that it does not run continuously at full load
Voltage imbalance tolerance	2%
Stator insulation class	H (180°C [360°F])



Grindex
Gesällvägen 33
Sundbyberg 174 87
Sweden
Tel. +46-8-606 66 00
Fax +46-8-745 53 28